

Knee Lever Modules

Steel, to Screw-On

SPECIFICATION

Types

- Type **C**: with horizontal foot
- Type **G**: with vertical foot

Lever arm steel

- Forged
- Blackened

Parts in sheet metal case-hardened steel
Blackened

Bearing pins and rivets steel
hardened and ground

All moving parts
Lubricated with special grease



INFORMATION

Knee lever modules GN 810.12 have the same properties and attributes as the "Longlife" GN 810.10 (see page) / GN 810.11 (see page) toggle clamps. The clamping arms are die-forged, the remaining steel sheet parts have been reinforced, and bearing pins and rivets are hardened and ground.

These knee lever modules are therefore suitable for applications in which substantial forces occur and in which a long service life is required.

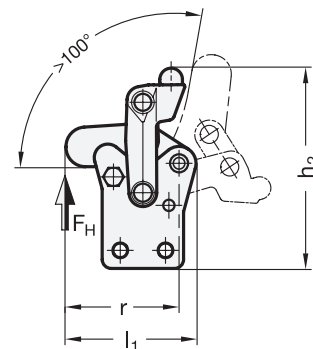
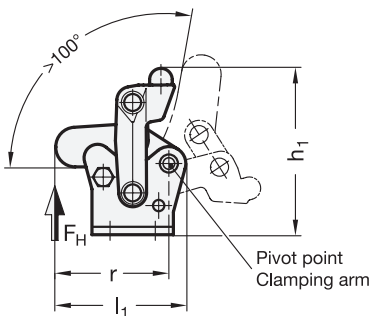
Extensive tests have shown that trouble-free function (under load) is ensured also after one million clamping cycles.

These knee lever modules permit the size and position of the lever and clamping arms to be adjusted to match the specific application.

- General information for toggle clamps (see page 1560)

ACCESSORY

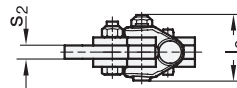
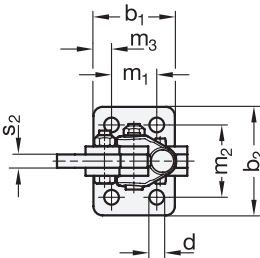
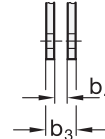
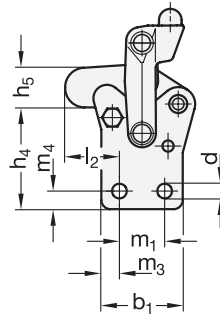
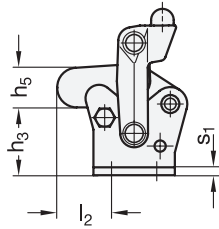
- Handles, Lever Arms, Clamping Arm Extenders, Bushings, Base Plates (see page)





Type C

Type G



GN 810.12-C

Description	Size	F _H in N	b1	b2	b3	b4	d	h1	h2	h3	h4	h5	l1	l2	l3	m1	m2	m3	m4	r	s1	s2	
GN 810.12-220-C	220	2200	36	48	13	6	6.5	74	89	30	45.5	17.5	57.5	24	29	20	32	8	8	50	3.5	6	256
GN 810.12-440-C	440	4400	54	65	20	10	8.5	121	140.5	50	69.5	28	85.5	32	42.5	30	45	12	10	73	5	10	967
GN 810.12-850-C	850	8500	75	75	24	12	10.5	158	180	67	88	35	115	38	52	55	55	10	10	99	6	12	1967
GN 810.12-1540-C	1540	15400	90	100	34	16	12.5	193	222	76.5	106	40	147.5	53	68	65	75	12.5	17.5	127.5	8	16	3980

GN 810.12-G

Description	Size	F _H in N	b1	b2	b3	b4	d	h1	h2	h3	h4	h5	l1	l2	l3	m1	m2	m3	m4	r	s1	s2	
GN 810.12-220-G	220	2200	36	48	13	6	6.5	74	89	30	45.5	17.5	57.5	24	29	20	32	8	8	50	3.5	6	256
GN 810.12-440-G	440	4400	54	65	20	10	8.5	121	140.5	50	69.5	28	85.5	32	42.5	30	45	12	10	73	5	10	967
GN 810.12-850-G	850	8500	75	75	24	12	10.5	158	180	67	88	35	115	38	52	55	55	10	10	99	6	12	1900
GN 810.12-1540-G	1540	15400	90	100	34	16	12.5	193	222	76.5	106	40	147.5	53	68	65	75	12.5	17.5	127.5	8	16	4000

